

Zenith Solar Powered Carports



Even Greener EV Charging Solution



ZENITH CANOPIES

The Zenith Solar Carport system is designed with modularity in mind. Whether you require a large-scale installation for a corporate office park, supermarket, or a smaller setup for residential use, our modular system adapts to fit your unique space and needs. Our state-of-the-art solar carports seamlessly combine form and function. Designed with sleek, built-in solar panels, the Zenith Solar Carport integrates effortlessly into your environment, enhancing aesthetics while being an

eco-conscious choice.

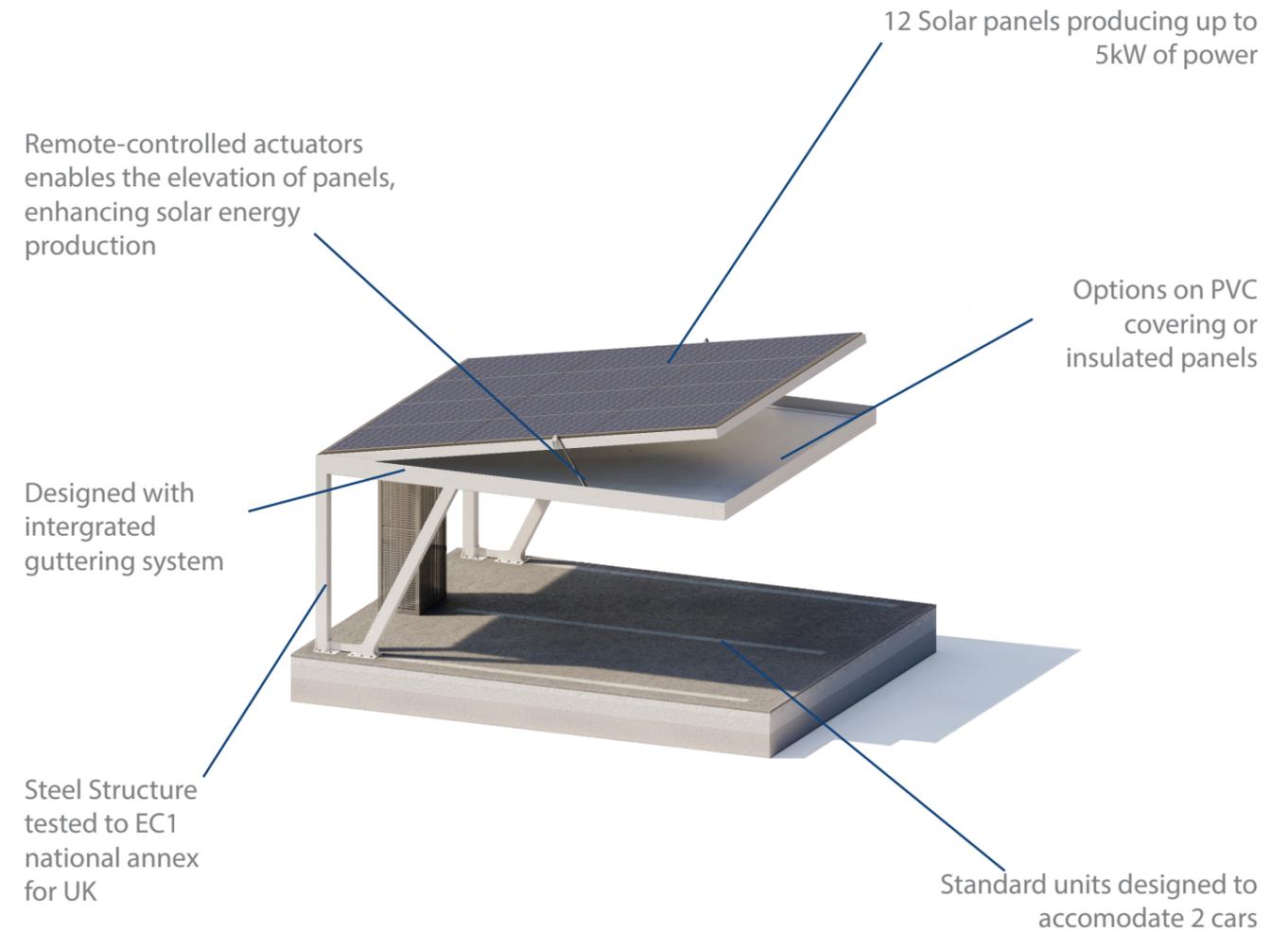
Who says utility can't be beautiful? With options to customise colour and size, your Zenith Solar Carport is more than just a functional asset—it's a statement of your commitment to sustainable living and impeccable design. Optimise your renewable energy utilisation with our range of energy storage solutions. Store excess energy and use it when the sun isn't shining, ensuring a constant, reliable power supply.



“Delivering canopy structures to the leisure, hospitality & education sector for over 30 years”



Adjustable - Features



Eurocodes built to -

Eurocode 1: Action on Structures

. EN1991-1-1: General actions - Densities, self-weight, imposed loads for buidling

. EN1991-1-3: General actions - Snow Load

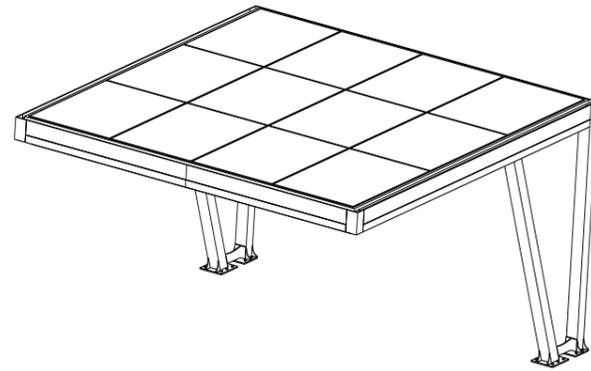
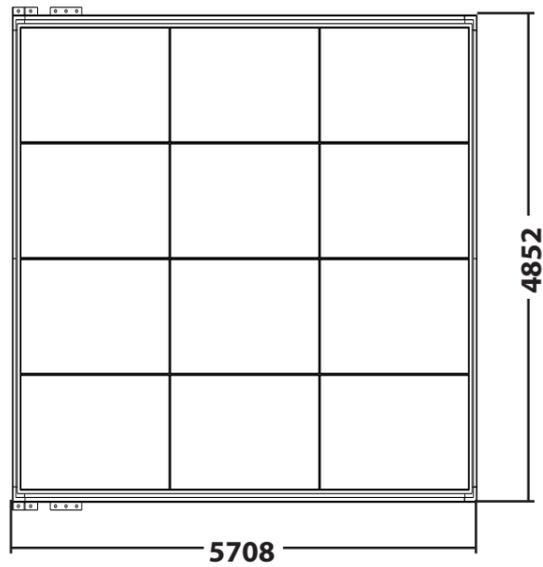
. EN1991-1-4: General actions - Wind actions

Eurocode 3: Design of Steel Structures

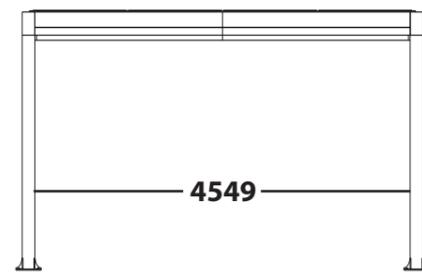
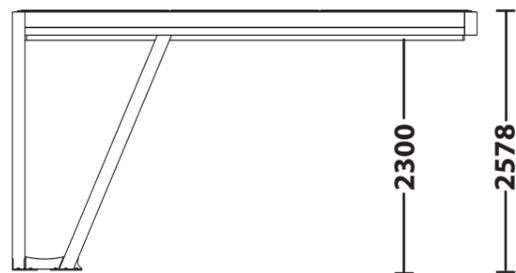
. EN1993-1-1: General Rules and Rules for Buildings

. EN1993-1-8: Design of Joints

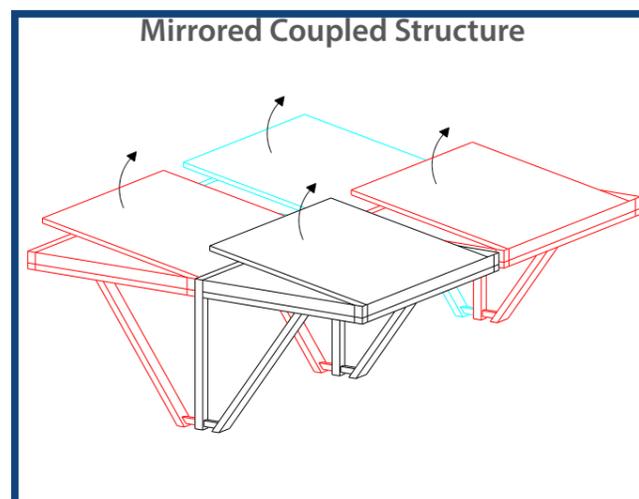
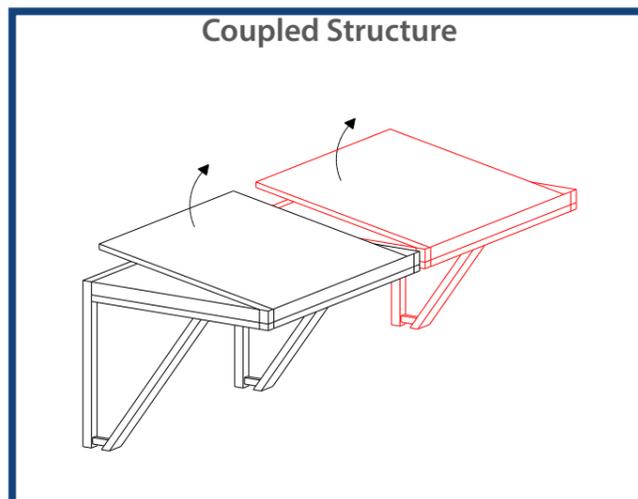
Dimensions



* All measurements in mm



Modular Range



Static - Features

12 Solar panels producing up to 5kW of power

Pitched at 14 degrees to accommodate all day sun absorption.

Steel Structure tested to EC1 national annex for UK

Standard units designed to accommodate 2 cars, with flexibility to span more

Eurocodes built to -

Eurocode 1: Action on Structures

. EN1991-1-1: General actions - Densities, self-weight, imposed loads for building

. EN1991-1-3: General actions - Snow Load

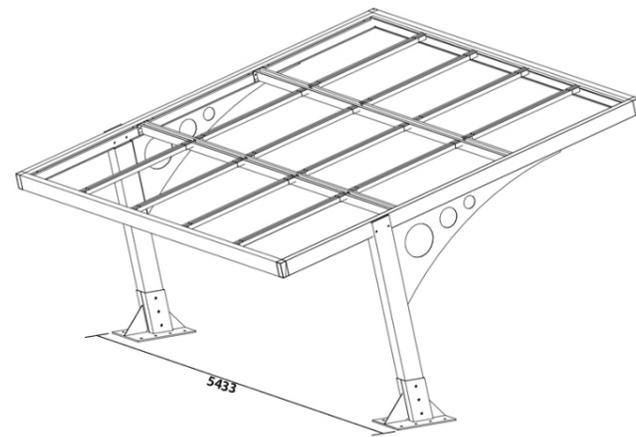
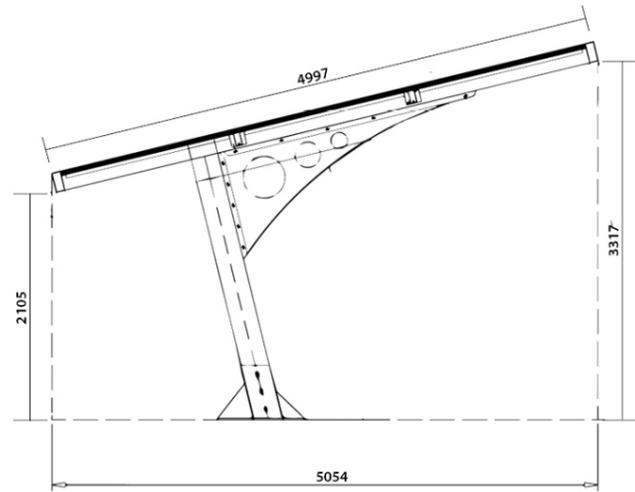
. EN1991-1-4: General actions - Wind actions

Eurocode 3: Design of Steel Structures

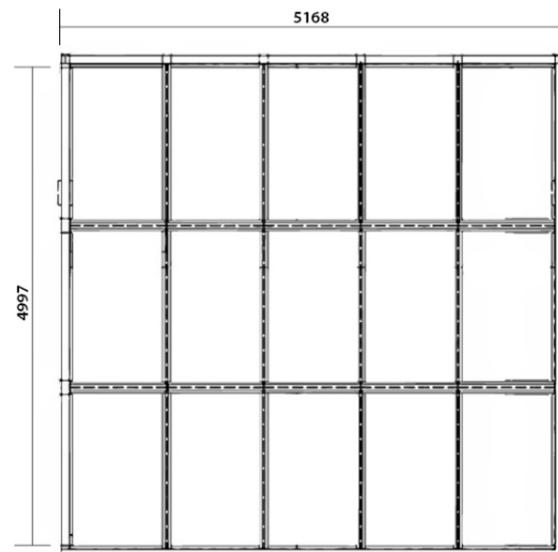
. EN1993-1-1: General Rules and Rules for Buildings

. EN1993-1-8: Design of Joints

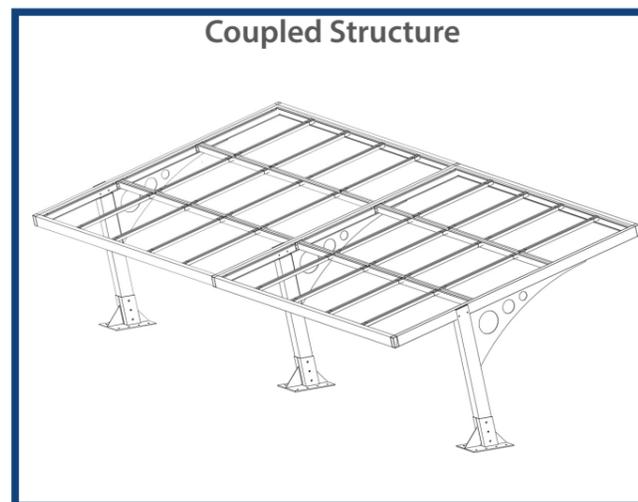
Dimensions



* All measurements in mm

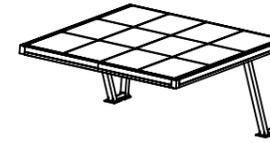


Modular Array



Details & Options

Adjustable Roof



Fixed Roof



Standard Colour Range

Structure Colour	PVC Colour	Structure Colour	PVC Colour
✓ RAL 9010	✓	✓ RAL 6018	✗
✗ Beige 226	✓	✓ RAL 6016	✓
✓ RAL 1014	✓	✓ RAL 6005	✗
✓ RAL 1001	✗	✓ RAL 6026	✓
✗ RAL 2011	✓	✓ RAL 7035	✓
✓ RAL 2001	✗	✓ RAL 7038	✓
✓ RAL 3000	✓	✓ RAL 7037	✓
✓ RAL 3011	✓	✓ Anthracite	✗
✓ RAL 8014	✗	✓ RAL 5015	✓
✓ RAL 8017	✗	✓ RAL 5010	✗
✓ RAL 7002	✗	✗ RAL 5002	✓
✓ RAL 1013	✓	✓ RAL 7015	✗
✗ Ivory 205	✓	✓ RAL 9005	✗
✗ RAL 1021	✓	✓ RAL 9006	✗
✗ RAL 1003	✓		

Standard Unit

5.7 x 4.8M

5.1 x 4.9M

Solar Panels

12 x 405W Panels

12 x 405W Panels

Insulated Roof Panels

Optional Extra

N/A

Battery Storage

Optional Extra

Optional Extra

4G Remote Monitoring

Optional Extra

Optional Extra

Standard lead time 6 - 8 weeks, dependent on order size

Considerations Include -

. All units can be adapted to suit site specific dimensions.

. Application to energy provider if installing to grid.

. Ground works need to be undertaken for foundations, and considered if electrics are to be run underground.

About Us



Based in Wokingham, Berkshire, Zenith specialise in the sale, installation and maintenance of canopies for permanent and semi-permanent use.

Since Zenith was established in 1990 we have specialised in the education, leisure, hospitality and construction sector.

Throughout Zenith's lifetime the product range and relationship with our manufacturers has seen substantial growth, resulting in year-on-year improvements to our excellent product range.

With our experience and personalised customer service we provide a high quality standard and bespoke structures with efficient delivery and installation to all our customers.

"I would like to thank Zenith for the excellent service received throughout the whole project from quotation to completion. This has been an expedient, efficient and collaborative venture for both parties, the workmanship, quality and finish have been and are exemplary"

Andy, Snr Site Manager - Fareham College



Benefits of Choosing Zenith

Guarantees



Working in partnership with our manufacturers for over two decades has led to the successful installation of more than 1,000 canopy structures.

Finance



We're able to offer finance on all our products to help spread costs over a set period

Service & Maintenance



We provide a comprehensive post-sales service, maintaining regular communication with our customers. We also offer tailored packages for cleaning and maintenance.

Equipment Supply



We maintain multiple supplier relationships across various industries and are delighted to support you in defining the specifications for your canopy structure

Trusted Contractors



We have an inhouse installation team backed by a variety of trades, who we can assure will help deliver the full package

Proven H&S Record



All of our personnel receive comprehensive training and possess the necessary qualifications, assuring our dedication to maintaining a secure work environment. These credentials have been officially endorsed by numerous reputable organisations.

Enhance your sustainability with Zenith's Solar Carports

Process

Whilst carrying out our work safety is always key to everything we do. We are a CHAS accredited contractor Constructionline Gold Member & SafeContractor Accredited.

We continually review our working procedures, train our staff in the latest safety standards and monitor the effectiveness of our safety policies. Additionally we always carry out site specific risk assessments and method statements prior to installation commencing any contract.



Zenith Canopy Structures is the parent company of Zenith Promotions and Zenith Verandas.

For further information on our marquee hire and exhibition services please visit: zenithpromotions.com

For further information on our domestic veranda division please visit: zenithverandas.co.uk

Contact Us

www.zenithcsl.com

0118 978 9072

Contact us for a FREE SITE SURVEY

Zenith Canopy Structures Limited ● Stokes Farm ● Binfield Road
Wokingham ● Berkshire ● RG40 5PR



**ZENITH**TM
Canopy Structures Limited